

PERFORMER

720

Pipelayers

Max Lift Capacity 75.000 kg

Hydraulic Hard Track Frame Disassembly

Bosch-Rexroth Components

Caterpillar Engine



EUROPIPELINEGROUP

PIPELINE SOLUTIONS

BASIC DATA

ENGINE

Model*	Caterpillar C9.3B TIER IV/STAGE V
Net Flywheel power	335 HP/250 kW
Governed speed	2100 rpm
Displacement	8,8 lt - 6 in line cylinder

*Also Available TIER 3A Version

TRANSMISSION

Type	Hydrostatic closed circuit
Brakes	2 integrated negative control
Final Drives	Epicycloidal oil soaked
Maximum speed	1 speed - 3.22 km/h 2 speed - 6.20 km/h

CONTROLS

Type	Hydrostatic Closed Circuit
Safety	Emergency shut-off
TSS System	Twin steering system to provide with other two levers, to drive the track independently in order to guarantee small and precise movements.

FLUID CAPACITIES

Fuel tank	350 lt
Hydraulic System circuit	400 lt
Cooling system	42 lt
Engine oil	30 lt
Final drive each	10+10 lt

HYDRAULIC SYSTEM

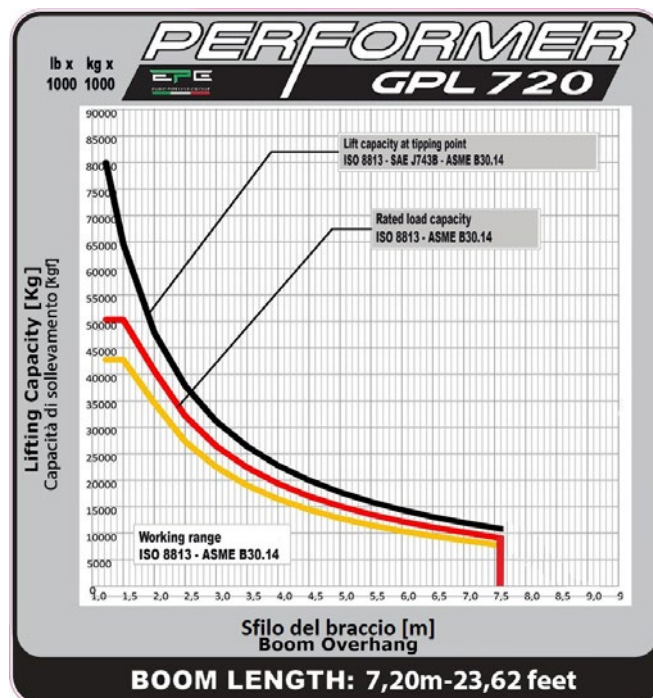
Main Pumps	3 independent variable Bosch-Rexroth pumps
Maximum capacity	2x367 lt/min 1x304 lt/min
Maximum operating pressure	420 bar
Service pumps	1 tandem gear pump

HARD TRACK FRAME

Dismountable, sealed and lubricated chain D9H type	
Number of bottom roller	9+9
Number of carrying rollers	2+2
Gauge	2,6 m
Length of track on the ground	4,25 m
Standard shoes width	800 mm
Ground contact area	60000 cm ²

ELECTRIC SYSTEM

Operating voltage	24 V
Maintenance free supplied batteries	2
Capacity (total)	170 Ah
Starter capacity	7,5 KW
Alternator	60 A



PIPELAYING EQUIPMENT

HYDRAULIC WINCHES

Type	Hydraulic controlled drum reversible Driven by variable flow hydraulic pump and control valve block in open circuit
Final drive	Compact hydrostatic drive unit, three-stage planetary gear

HOOK AND BOOM WINCHES

Drum diameter	400 mm
Flange diameter	590 mm
Drum length	363 mm
Capacity	90 m
Wire rope installed	90 m
Hook speed	0-16 m/min

BOOM SPECIFICATIONS

Type	7,3 m welded box square section
Diameter wire rope	19 mm
Min. breaking strength rope	323 KN
Part load line	8
Part boom line	6

ADJUSTABLE COUNTERWEIGHTS

QD-CS	Quick-disconnected counterweight system for fast disassembly of the counterweight pack.
Removable Counterweight	10 leaves 583 Kg
Total weight extendable	5830 Kg

WINCH SPECIFICATIONS

MAIN PUMP

Type	Bosch-Rexroth axial piston variable displacement pump
------	--

VALVES

Type	Bosch load-sensing mobile control block proportional directional valves
Working pressure	320 bar

CONTROL

Type	Pilot units for remote control of winch motors
------	---

SERVICE PUMP

Type	Gear pump
Max capacity	10 lt/min
Working pressure	30 bar

OPTIONAL

- Closed cabin
- Air conditioning
- Rear Winch Predisposal
- Rear Winch 90mt
- Winterized Version
- Proximity Sensor
- GPS Telemetry
- Additional counterweight for up to 75 tons max lift

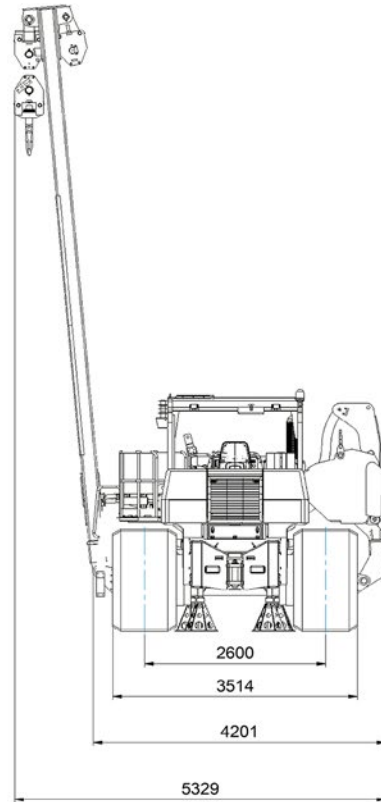
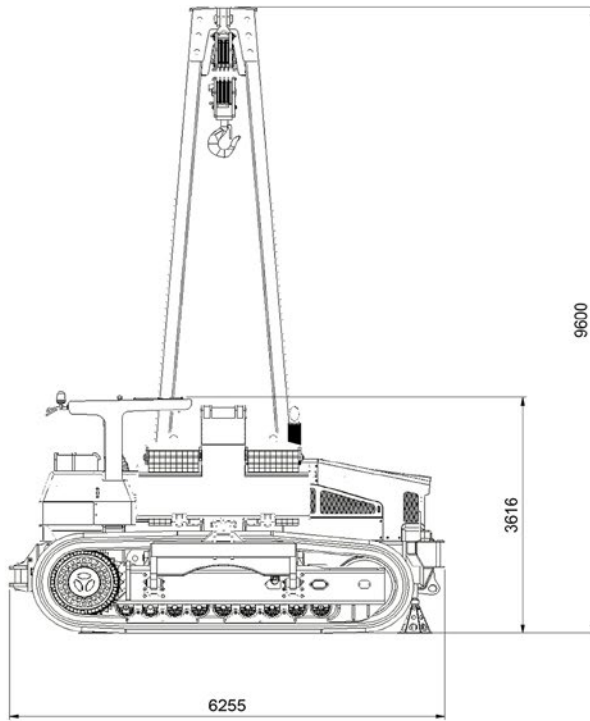
FEATURES

- CE Approval Design
- ROPS/FOPS for best view of the top of the boom and of the load

SAFETY

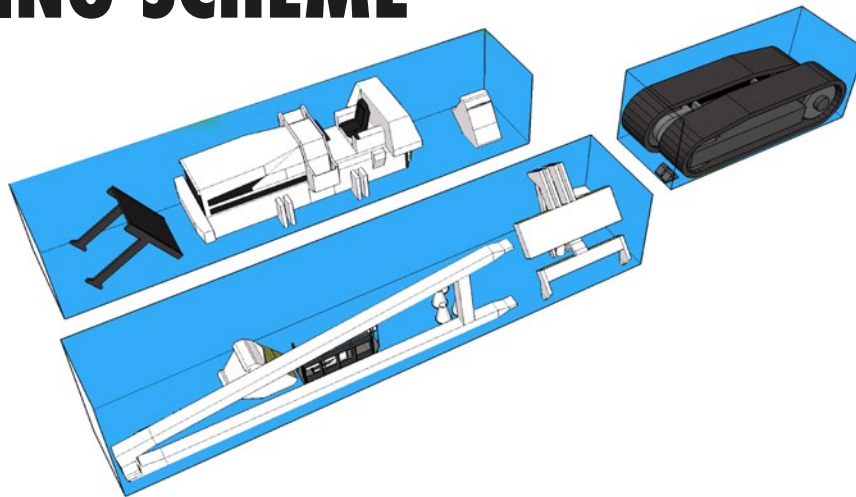
- Anti - Tipping System
- Electronic Boom Kick-out
- Free Fall
- Load Monitoring System

DIMENSIONS AND WEIGHTS



OPERATIONAL WEIGHT 55,000 KG

SHIPPING SCHEME



EURO PIPELINE EQUIPMENT SPA
Strada Provinciale 6 bis
Località Cascine Draghi
29013 Carpaneto Piacentino (PC)
ITALY

Registered Office
via Pontaccio 8
20121 Milan
ITALY

info@europipeline-equipment.com

www.europipeline-equipment.com