

# PBM-2236

## PIPE BENDING MACHINE

Robust and safe for the operator  
Wide bending range  
PTO available for mandrel feeding  
Wheel or rubber chain  
Equipped with winch for Pipe Handling  
Polyurethane lined bending sets available  
TIER IV engine option available on request



EUROPIPELINEGROUP  
PIPELINE SOLUTIONS

# BASIC MACHINE DATA

## ENGINE

Model	Yanmar 4TNV98
Net Flywheel power	62,5 kW
Governed speed	2500 rpm
Displacement	4 in line cylinder

## REFILL CAPACITIES

Fuel tank	150 L
Hydraulic oil tank	240 L

## HYDRAULIC SYSTEM

Maximum oil flow	72 liters/min
Pump pressure max	200 bar
Maximum oil flow	61 liters/min

## ELECTRICAL SYSTEM

Operative Voltage	12V
Maintenance free batteries	1x12V
Total Rating	105Ah

## HYDRAULIC CYLINDERS

Outboard cylinder	2x 300mm x 420mm
Inboard cylinder	4x 170mm x 150mm
Wedge cylinder	1x 160mm x 980mm
Clamp cylinder	1x 120mm x 450mm

## UNDERCARRIAGE

Track rollers/carrier rollers	4/1
Track shoes standard	500 mm

## WINCH

Model	hydraulic worm gear winch
Maximum operating pressure	160 bar
Maximum feed flow rate	80 lt/min
Rated line pull	8000 kg
Rope lenght	30 m
Rope diameter	14 mm
Maximum Speed	4 mt/min

## AUXILIARIES

Hydraulic PTO for mandrel	quick coupling 1/2"
---------------------------	---------------------



### Hydraulic or pneumatic mandrels

In addition to the full range of pipe bending machines, EPE offers Hydraulic mandrels to optimize bending operation in case of light wall thicknesses, avoiding the buckling of the pipe.

We offer manual (up to 14") or hydraulic mandrels with up to two motors in a wide range of sizes which can be easily fed through the dedicated PTO outlet of the bending machine.

### Steel Tracks

In order to achieve a low ground pressure for easy towing of the machine

### Bending sets

EPE bending sets are manufactured with high quality steel, welded and reinforced in high stress areas for maximum strength and resistance. The internal surface is finished with tooling machines to guarantee the required accuracy and can also be proposed with Polyurethane lining upon request.

### Pipe rollers

Pipe drive rollers complete of ball bearings rollers easy the handling of the pipe



### PLATFORM AND DASHBOARD

The position of the control platform makes EPE bending machine unique in terms of operating comfort and guarantees maximum visibility and low noise levels to the operator. Closed cabine can be proposed on request.





# BENDING DATA

Maximum tickness bended in function of steel type - All data are expressed for *inch/mm*

Pipe Size	X52	X60	X70	X80	X100	Radius (feet/meter)	Max.Degree*
22/559	2/50.80	2/50.80	2/50.80	2/50.80	2/50.80	72/21.95	21.6
24/610	2/50.80	2/50.80	2/50.80	2/50.80	2/50.80	76/23.16	20.3
26/660	2/50.80	2/50.80	2/50.80	2/50.80	2/50.80	82/24.99	18.9
28/711	2/50.80	2/50.80	2/50.80	2/50.80	1.75/44.5	88/26.82	17.6
30/762	2/50.80	2/50.80	2/50.80	1.94/49.2	1.47/37.3	95/28.96	16.2
32/813	2/50.80	2/50.80	1.90/48.3	1.63/41.3	1.25/31.8	98/29.87	15.6
34/864	2/50.80	1.94/49.2	1.63/41.3	1.40/35.6	1.09/27.6	104/31.70	14.8
36/914	2/50.80	1.70/43.2	1.42/36.1	1.22/31.0	0.96/24.4	115/35.05	13.5

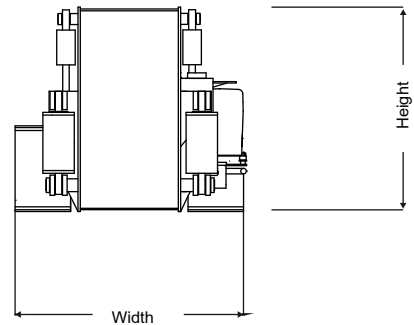
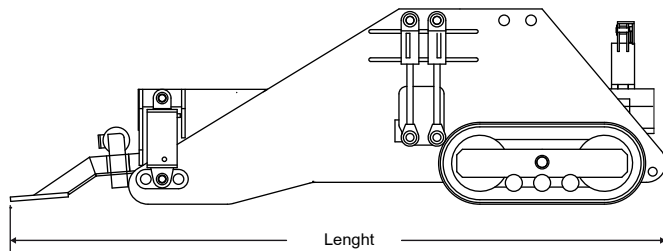
\* per 12 meter joint



## OPTIONS

- **Bend Angle Measurement Device:** a wireless tool made of three components: two of them placed at both pipe ends and the remote control is held by the operator. Working temperature -40°C to 50°C. Device precision 1/50 grades.
- **Integrated Closed Cabin:** Upon request the bending machine can be equipped with a heated/conditioned cabin for operator.
- **Artic Version:** Equipped with webasto and dedicated components to operate in the range -40°C/+40°C.

# DIMENSIONS AND WEIGHTS



## DIMENSIONS

Overall lenght	7500 mm
Width	2850 mm
Height over exhaust	2900 mm

## SHIPPING DIMENSIONS

Overall lenght	7500 mm
Width	2600 mm
Height over exhaust	2900 mm

## WEIGHTS

Operating weight	23000 kg	46297 lbs
------------------	----------	-----------



EUROPIPELINEGROUP



Località Cascine Draghi  
29013 Carpaneto Piacentino (PC)  
ITALY

### Registered Office

via Pontaccio 8  
20121 Milan  
ITALY

[info@europipeline-equipment.com](mailto:info@europipeline-equipment.com)

[www.europipeline-equipment.com](http://www.europipeline-equipment.com)