

PBM-1630

PIPE BENDING MACHINE

Robust and safe for the operator
Wide bending range
PTO available for mandrel feeding
Wheel or rubber chain
Equipped with winch for Pipe Handling
Polyurethane lined bending sets available
TIER IV engine option available on request



EUROPIPELINEGROUP
PIPELINE SOLUTIONS

BASIC MACHINE DATA

ENGINE

Model	Yanmar 4TNV98T
Net Flywheel power	62.5 kW
Governed speed	2500 rpm
Displacement	3.3L - 4 in line cylinder

REFILL CAPACITIES

Fuel tank	60L
Hydraulic oil tanks	150L

HYDRAULIC SYSTEM

Pump type	Gear Pump
Max operating pressure	160 bar
Maximum oil flow	106 liters/min

ELECTRICAL SYSTEM

Operative Voltage	12V
Maintenance free batteries	1x12V
Total Rating	100Ah

HYDRAULIC CYLINDERS

Outboard cylinder	2x 220mm x 380mm
Inboard cylinder	2x 180mm x 150mm
Wedge cylinder	1x 150mm x 800mm
Clamp cylinder	1x 120mm x 450mm

FRAME

High resistance carbon steel S355JR

UNDERCARRIAGE

Track rollers/carrier rollers	3/1
Track shoes standard	500 mm
Track type	Industrial

WINCH

Type	hydraulic worm gear winch
Maximum operating pressure	140 bar
Maximum feed flow rate	80 lt/min
Rated line pull (1st layer)	8000 kg
Rope length	20 m
Rope diameter	14 mm
Maximum Speed (1st layer)	4,0 mt/min

AUXILIARIES

Hydraulic PTO for mandrel	quick coupling 1/2"
---------------------------	---------------------



Hydraulic or pneumatic mandrels

In addition to the full range of pipe bending machines, EPE offers Hydraulic mandrels to optimize bending operation in case of light wall thicknesses, avoiding the buckling of the pipe.

We offer manual (up to 14") or hydraulic mandrels with up to two motors in a wide range of sizes which can be easily fed through the dedicated PTO outlet of the bending machine.

Steel Tracks

In order to achieve a low ground pressure for easy towing of the machine

ENGINE

Caterpillar or Yanmar diesel engines are selected as the best fitting solution according to the size of the equipment. All of them include integrated filtration system, liquid cooling and self-stretching fan towing seals. All comply with the environmental regulations in terms of emissions and noise.

Bending sets

EPE bending sets are manufactured with high quality steel, welded and reinforced in high stress areas for maximum strength and resistance. The internal surface is finished with tooling machines to guarantee the required accuracy and can also be proposed with Polyurethane lining upon request.

Pipe rollers

Pipe drive rollers complete of ball bearings rollers easy the handling of the pipe



PLATFORM AND DASHBOARD

The position of the control platform makes EPE bending machine unique in terms of operating comfort and guarantees maximum visibility and low noise levels to the operator. Closed cabine can be proposed on request.



BENDING DATA

Maximum thickness bended in function of steel type - All data are expressed in mm

Pipe Size	X52	X60	X65	X70	X80	Radius (meter)	Max.Degree*
16"	50,80	50,80	50,80	50,80	50,80	11,58	40.8
18"	50,80	50,80	50,80	50,80	50,80	15,85	29.7
20"	50,80	50,80	50,80	50,80	28,56	19,51	24.4
22"	38,10	30,40	28,50	26,60	22,80	21,95	21.6
24"	38,48	24,70	22,80	21,00	17,00	23,16	20.2
26"	24,70	20,90	19,00	17,10	15,40	25,00	18.9
28"	20,90	17,00	15,00	14,20	13,30	26,82	17.6
30"	17,10	15,20	14,20	13,00	11,40	29,26	16.2

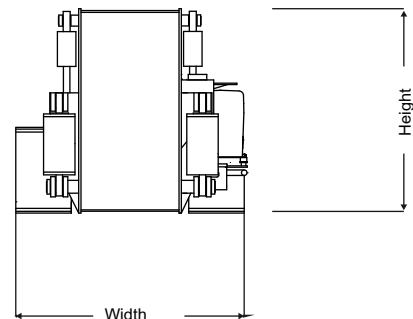
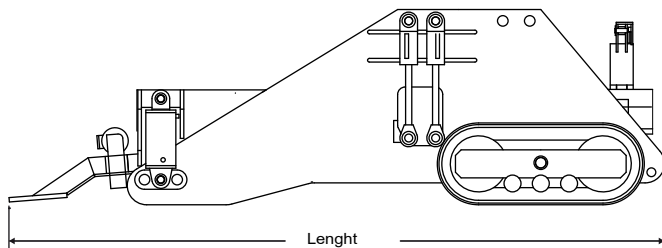
* per 12 meter joint



OPTIONS

- **Bend Angle Measurement Device:** a wireless tool made of three components: two of them placed at both pipe ends and the remote control is held by the operator. Working temperature -40°C to 50°C. Device precision 1/50 grades.
- **Integrated Closed Cabin:** Upon request the bending machine can be equipped with a heated/conditioned cabin for operator.
- **Artic Version:** Equipped with webasto and dedicated components to operate in the range -40°C/+40°C.

DIMENSIONS AND WEIGHTS



DIMENSIONS

Overall lenght	6455 mm
Width	2800 mm
Height over winch	2700 mm

TRANSPORT DIMENSIONS

Overall lenght	6455 mm
Width	2500 mm
Height over winch	2700 mm

WEIGHTS

Operating weight	16000 kg
------------------	----------



EUROPIPELINEGROUP



EURO PIPELINE EQUIPMENT SPA
 Strada Provinciale 6 bis
 Località Cascine Draghi
 29013 Carpaneto Piacentino (PC)
 ITALY

Registered Office
 via Pontaccio 8
 20121 Milan
 ITALY

info@europipeline-equipment.com
www.europipeline-equipment.com